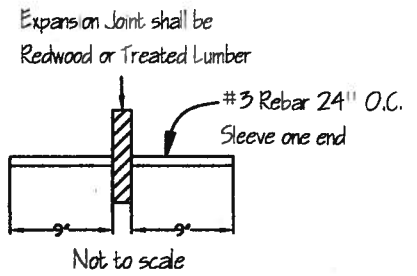
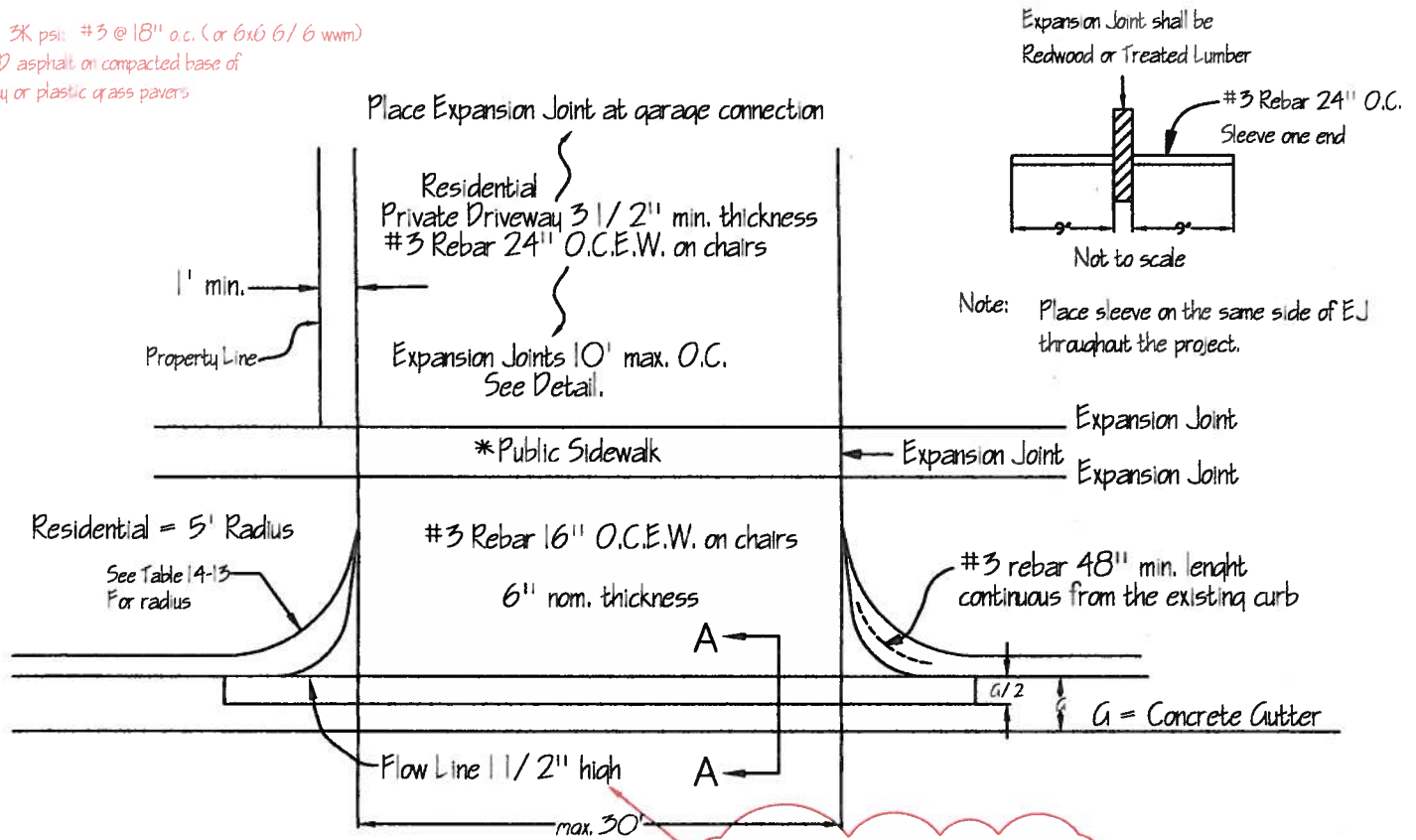


# Driveway reinforcement, curb and gutter cut details.

Parking lots: 3K psi: #3 @ 18" o.c. (or 6x6 6/6 wmm)  
 4" D or 2" D asphalt on compacted base of  
 95% density or plastic grass pavers



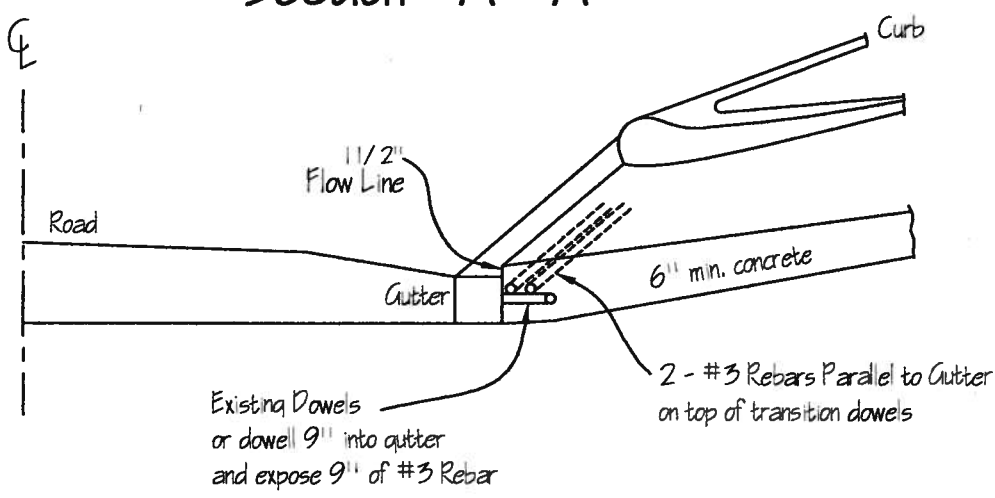
Note: Place sleeve on the same side of EJ throughout the project.

Concrete = 2500 psi @ 28 days  
 All Rebars to be Grade 40.

OK to ignore flow line with replacements and new

## Section "A - A"

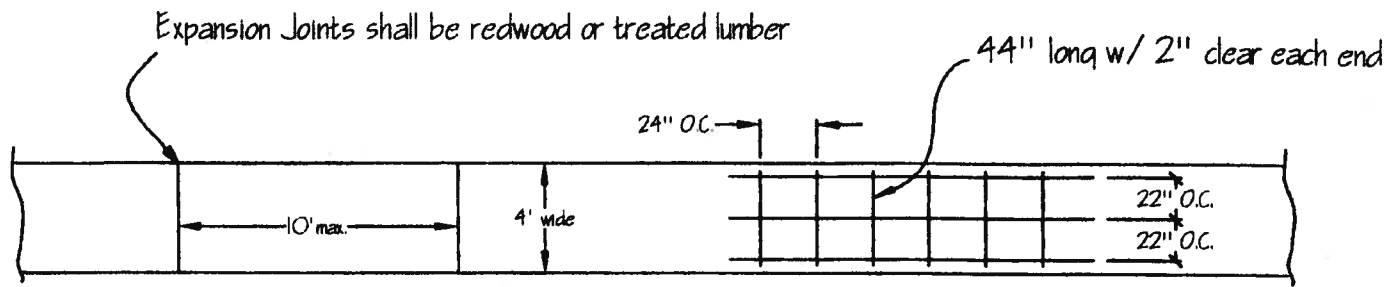
Note: The sidewalk cross slope applies to the driveway inline with the sidewalk crossing it.



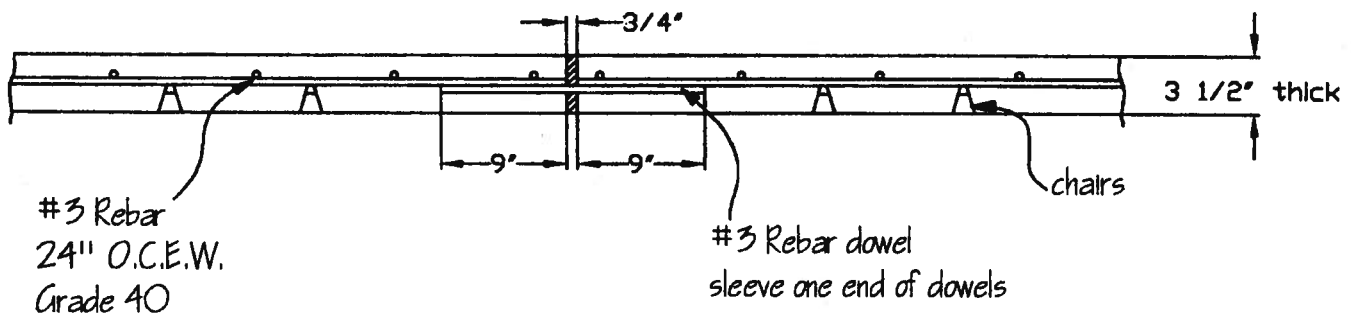
See Figures 14-14, 14-15, 14-16, 14-17, 14-18 for other requirements



# Detail of sidewalk reinforcement



Concrete = 2500 psi @ 28 days  
 Maximum cross slope 1/4" per foot  
 (1" maximum on 4' wide sidewalk)



- Notes:
1. Place sleeve on the same side of EJ throughout the project.
  2. Dowels shall extend beyond your end of sidewalk for tie in to future extension of sidewalk.
  3. Private walkways, patios\* and stoops\* may use wire mesh 6 x 6 #10 on chairs.

\* non structural support - flatwork only

